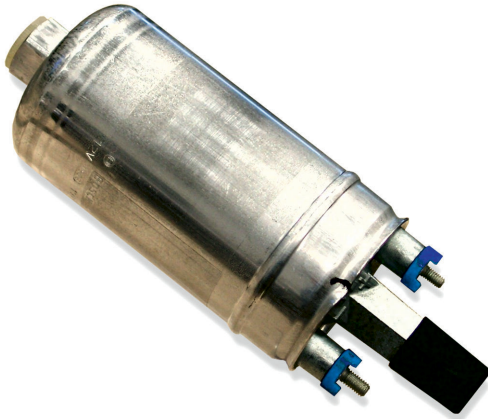


# Fuel Pump FP 165

www.bosch-motorsport.com



- ▶ >165 l/h
- ▶ 980 g
- ▶ Max. 5 bar
- ▶ Fuel lines screwed

The FP 165 is an inline roller cell pump for the installation outside the fuel tank.

It is capable of providing 165 l/h at 5 bar. Bio-fuel can be delivered up to E85.

The FP 165 is a production type fuel pump, combining good quality at a low price.

## Application

Fuel pressure	5 bar
Delivery rate at 5 bar and 22°C	205 ± 5 l/h
Pressure limiting valve	7 to 12.5 bar rel.
Fuel compatibility	E85
Operating temperature range	-20 to 90°C
Storage temperature range	-40 to 70°C
Max. vibration	3 mm at 10 to 18 Hz ≤40 m/s <sup>2</sup> at 18 to 60 Hz

## Technical Specifications

### Mechanical Data

Diameter	60 mm
Length	168 mm

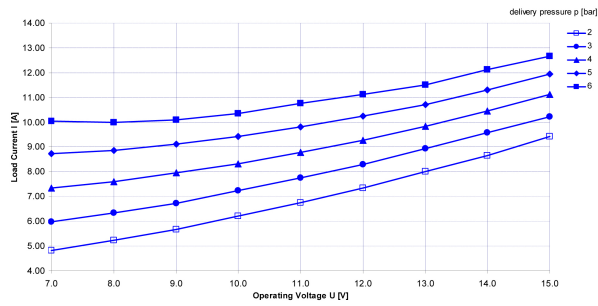
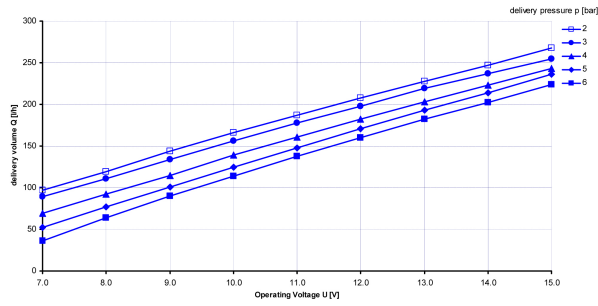
Weight	980 g
Mounting	Clamping

### Electrical Data

Supply voltage	6 to 16.5 V
Operating voltage	13.8 V
Load current at 5 bar and 22 °C	11.0 ± 2 A

### Characteristic

Surface coating	None
Color	Silver
Non-return valve	Internal
Fuel filtering	External, on pressure side



### Connectors and Wires

Electrical connector	+M4/-M5
Electrical matting connector	with ring wire M4 and M5
Mechanical connector intake side	M14x1.5
Mechanical connector pressure side	M12x1.5

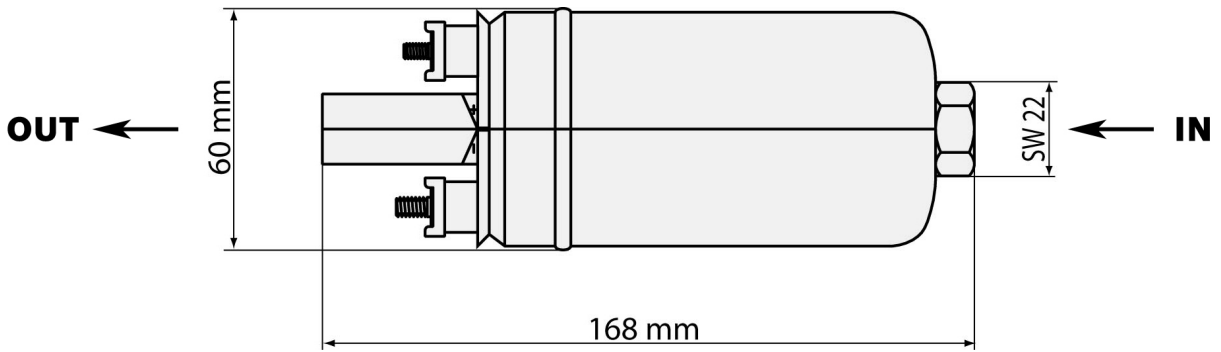
### Installation Notes

- With E26/E85 or Diesel fuel run-time max. 500 h.
- For technical reasons the values may vary.
- Please use within the specified limit values only.
- Please find further application hints in the offer drawing at our home-page.

### Ordering Information

**Fuel Pump FP 165**  
 Order number **0 580 254 979**

Dimensions



Represented by:

**Europe:**  
Bosch Engineering GmbH  
Motorsport  
Robert-Bosch-Allee 1  
74232 Abstatt  
Germany  
Tel.: +49 7062 911 79101  
Fax: +49 7062 911 79104  
motorsport@bosch.com  
www.bosch-motorsport.de

**North and South America:**  
Bosch Engineering North America  
Motorsports  
38000 Hills Tech Drive  
Farmington Hills, MI 48331-3417  
United States of America  
Tel.: +1 248 876 2977  
Fax: +1 248 876 7373  
motorsport@bosch.com  
www.bosch-motorsport.com

**Asia-Pacific:**  
Bosch Engineering Japan K.K.  
Motor Sport Department  
3-33-8 Tsuruya-cho, Kanagawa-ku, Yokohama-shi  
Kanagawa 221-0835  
Japan  
Tel.: +81 45 410 1650  
Fax: +81 45 410 1651  
motorsport@bosch.com  
www.bosch-motorsport.com