



# Injection Valve EV 6



- ▶ **Single beam or twin beam**
- ▶ **Flow rate at 3 bar: up to 962 cm<sup>3</sup>/min (N-heptane)**
- ▶ **Spray angle 15 to 70°**

EV 6 injection valves are designed to inject the fuel as efficiently as possible into the intake manifold runner to achieve a homogeneous distribution of fuel in air flow.

EV 6 injection valves feature high corrosion resistance and excellent engine start characteristics. The hydraulic connections of the Bosch injection valves EV 6, EV 12 and EV 14 are compatible.

## Technical Specifications

### Variations of production type valves

Part-Nr., Housing	Flow rate/min	Type	α80	γ	Resist.
0 280 156 194, S	116 g/170 cm <sup>3</sup>	C	15°	0°	14.5 Ω
0 280 155 868, L	261 g/382 cm <sup>3</sup>	C	15°	0°	12 Ω
0 280 155 830, L	261 g/382 cm <sup>3</sup>	E	20°	0°	12 Ω
0 280 156 063, L	269 g/393 cm <sup>3</sup>	E	15°	10°	12 Ω
0 280 156 012, S	310 g/453 cm <sup>3</sup>	C	20°	5°	12 Ω

Further variations are available on request.

### Variations of Motorsport valves

Part-Nr., Housing	Flow rate/min	Type	α80	γ	Resist.
B 280 431 127-07, S	261 g/382 cm <sup>3</sup>	C	70°	0°	12 Ω
B 280 431 128-04, S	364 g/533 cm <sup>3</sup>	C	25°	0°	12 Ω
B 280 431 129-03, S	364 g/533 cm <sup>3</sup>	C	70°	0°	12 Ω
B 280 431 131-02, S	493 g/721 cm <sup>3</sup>	C	70°	0°	1.2 Ω
B 280 434 499-02, S	658 g/962 cm <sup>3</sup>	C	25°	0°	12 Ω

Further versions are available on request.

### Mechanical Data

System pressure	Max. 8 bar
Weight	≤ 55 g
Fuel input	top-feed injector
Operating temperature	-40 to 110°C
Permissible fuel temperatures	≤ 70°C
Climate-proof corresponding to saline fog test DIN 50 021	
Housing design	Standard (S), Long (L)
Spray type	C (Conical Spray) or E (2-Spray)
Flow rate at 3 bar (n-heptane)	134 to 962 cm <sup>3</sup> /min 92 to 658 g/min
Spray angle α	15 to 70°
Bent angle γ	0 to 20°
Coil resistance	1.2 to 16 Ω

### Electrical Data

Power supply 6 to 16,5 V

### Connectors and Wires

Connectors Jetronic, Sumitomo, Motorsport connectors

### Installation Notes

Please ask for more information before ordering.

Injectors with low resistance are only supplied with a peak and hold power stage.

### Dimensions



EV 6 CL 0 280 155 737



EV 6 EL 0 280 155 830



EV 6 CL 0 280 156 005



EV 6 CL 0 280 431 127-01



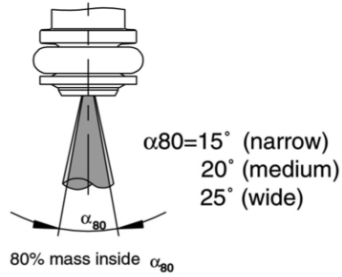
EV 6 CL 0 280 431 127-01



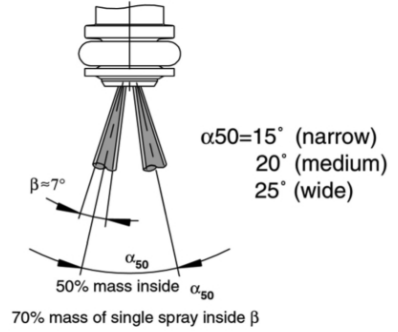
EV 6 CL 0 280 434 499-01

*Housing Variations*

**C: Conical Spray**

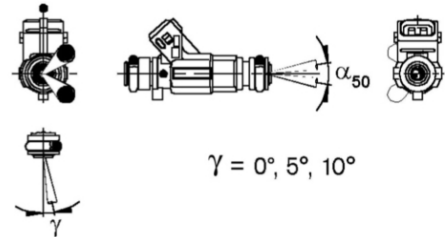
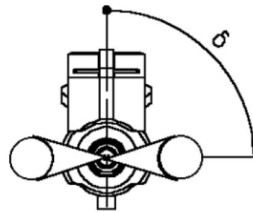


**E: 2-Spray**

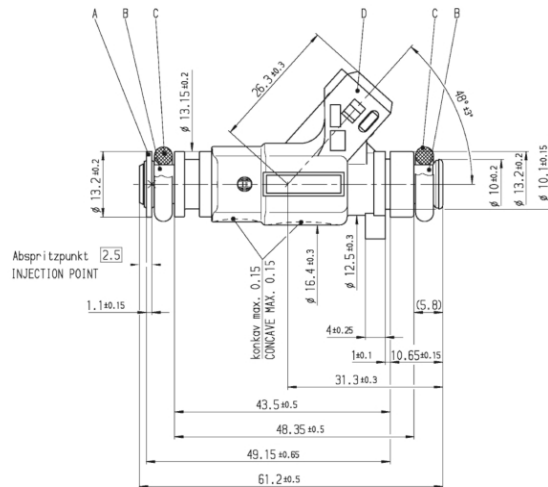
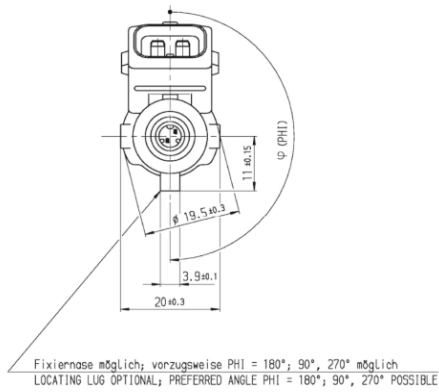


Angle between connection and spray level ( $\delta = \text{delta}$ ):  
 (only 2-spray preparation)

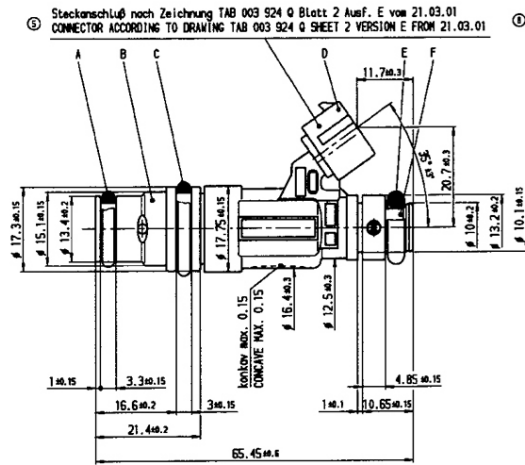
$\delta = 0^\circ - 360^\circ$  possible



*Spray Illustrations*



*EV6 Standard*



EV6 Long

**Europe:**  
 Bosch Engineering GmbH  
 Motorsport  
 Robert-Bosch-Allee 1  
 74232 Abstatt  
 Germany  
 Tel.: +49 7062 911 79101  
 Fax: +49 7062 911 79104  
 motorsport@bosch.com  
 www.bosch-motorsport.de

**North and South America:**  
 Bosch Engineering North America  
 Motorsports  
 38000 Hills Tech Drive  
 Farmington Hills, MI 48331-3417  
 United States of America  
 Tel.: +1 248 876 2977  
 Fax: +1 248 876 7373  
 motorsport@bosch.com  
 www.bosch-motorsport.com

**Asia Pacific:**  
 Bosch Engineering Japan K.K.  
 Motor Sport Department  
 3-33-8 Tsuruya-cho, Kanagawa-ku, Yokohama-shi  
 Kanagawa 221-0835  
 Japan  
 Tel.: +81 45 410 1650  
 Fax: +81 45 410 1651

**Represented by**