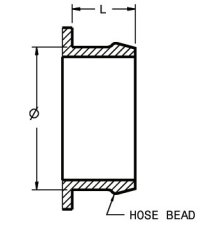


Garrett® GT4508R

by Honeywell 774596-1, 774596-2, 774596-3 & 774596-4

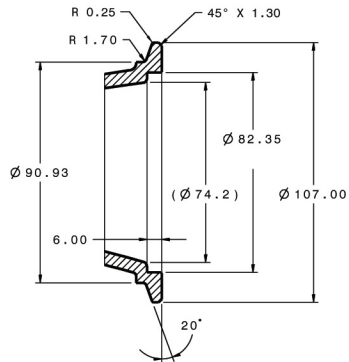
Compressor Inlet

HOSE CONNECTIONS
TABULATED AS (Ø x L)

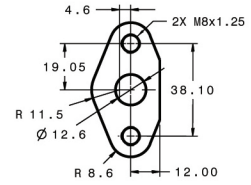


Ø 152.4 x 32

Compressor Outlet

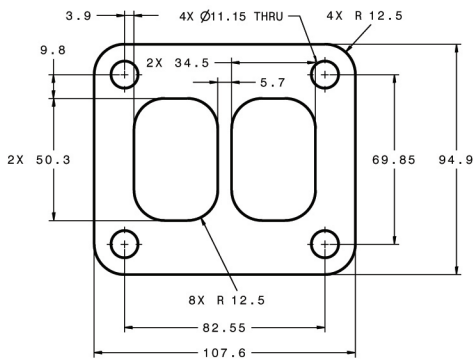


Oil Inlet

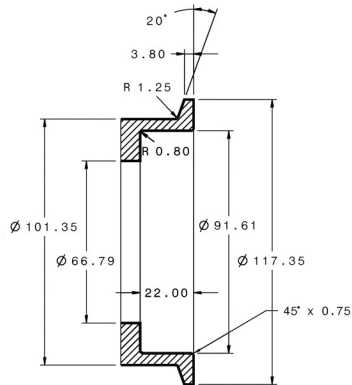


Turbine Inlet

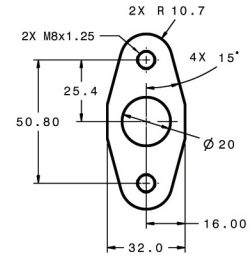
"T4 DIVIDED"



Turbine Outlet

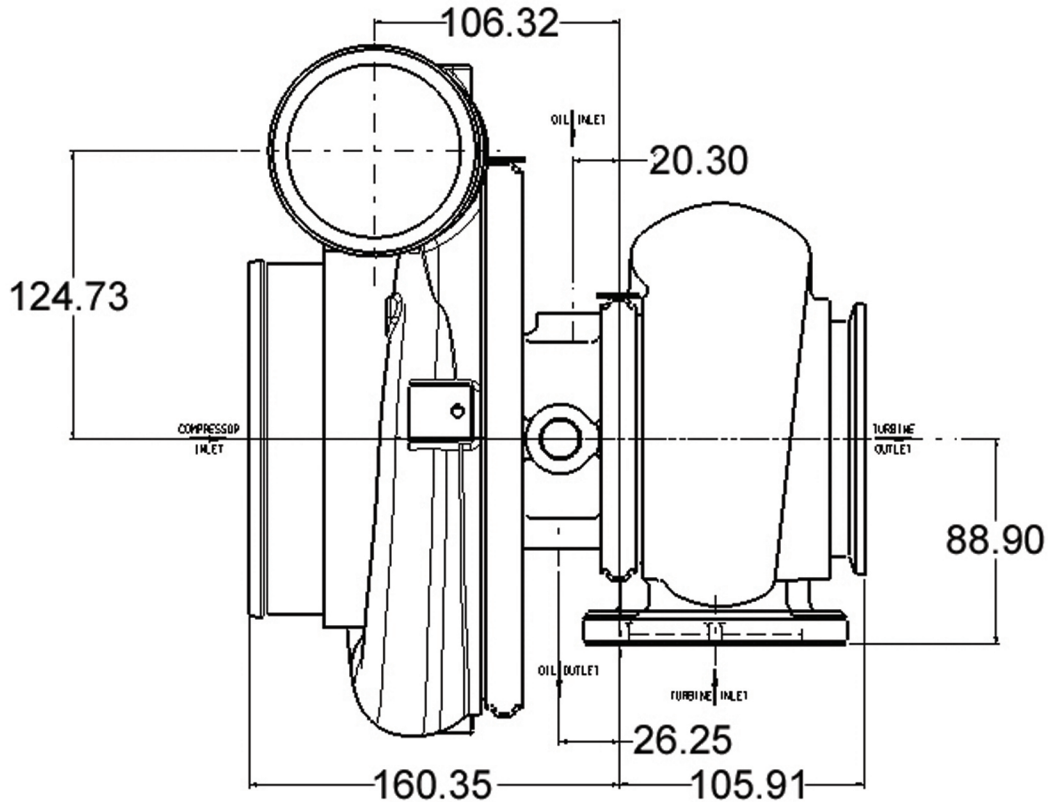


Oil Outlet



Water

M18 x 1.50



All Measurements in MM