

# Fuel Pressure Regulator Mini A

www.bosch-motorsport.com



**BOSCH**  
Invented for life



- ▶ 2.2 to 3.5 bar/3.5 to 5 bar
- ▶ Pressure adjustable
- ▶ 15 to 220 l/h reflow
- ▶ Sheet steel housing

Fuel pressure regulators are used to maintain constant fuel pressure at the injection valves. This regulator based on a production type regulator was specially designed for motorsport applications. The main benefit of this regulator is the adjustability of the fuel pressure.

## Application

Pressure range	2.2 to 3.5 bar 3.5 to 5.0 bar
Reflow quantity	15 to 220 l/h
Reference pressure connector	Diam. 5 mm, tube connector
Fuel compatibility	Gasoline, E85, M15
Operating temperature	-40 to 120°C
Storage temperature	-40 to 100°C
Max. vibration	<400 m/s <sup>2</sup> at 5 to 250 Hz

## Technical Specifications

### Mechanical Data

Diameter	34.9 mm
Weight	58 g
Mounting	Fastening with a clip

## Connectors and Wires

Connector supply	Diam. 25 mm, O-ring
Connector reflow	Diam. 9.15 mm, O-ring

## Installation Notes

The tube connector at the housing can be used to supply reference pressure to the regulator. This can be atmospheric pressure, air box pressure or manifold pressure.

Never run the regulator without the integrated filter. Please oil O-rings lightly before you install the regulator.

Please make a leak test after you have installed the regulator.

When the pressure regulator is removed and will be reused, the O-rings must be tested for fractures. Operation with air is not allowed.

## Ordering Information

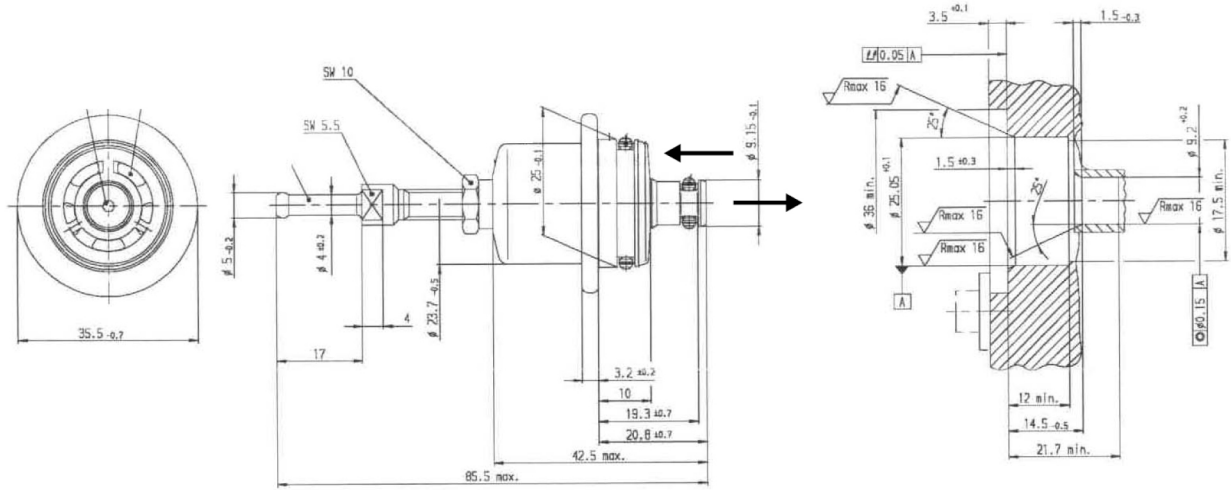
### 2.2 to 3.5 bar

Order number **B 280 550 340-03**

### 3.5 to 5 bar

Order number **B 280 550 341-03**

Dimensions



Represented by:

**Europe:**

Bosch Engineering GmbH  
Motorsport  
Robert-Bosch-Allee 1  
74232 Abstatt  
Germany  
Tel.: +49 7062 911 79101  
Fax: +49 7062 911 79104  
motorsport@bosch.com  
www.bosch-motorsport.de

**North and South America:**

Bosch Engineering North America  
Motorsports  
38000 Hills Tech Drive  
Farmington Hills, MI 48331-3417  
United States of America  
Tel.: +1 248 876 2977  
Fax: +1 248 876 7373  
motorsport@bosch.com  
www.bosch-motorsport.com

**Asia-Pacific:**

Bosch Engineering Japan K.K.  
Motor Sport Department  
3-33-8 Tsuruya-cho, Kanagawa-ku, Yokohama-shi  
Kanagawa 221-0835  
Japan  
Tel.: +81 45 410 1650  
Fax: +81 45 410 1651  
motorsport@bosch.com  
www.bosch-motorsport.com