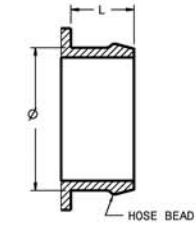


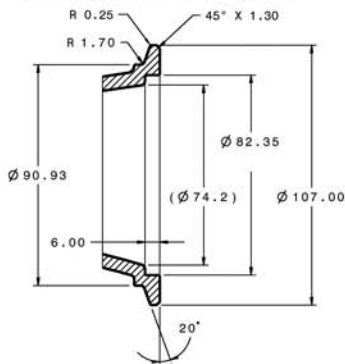
Compressor Inlet

HOSE CONNECTIONS
TABULATED AS (Ø x L)

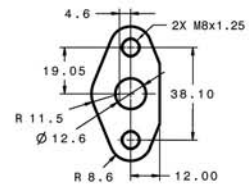


Ø 127 x 32

Compressor Outlet

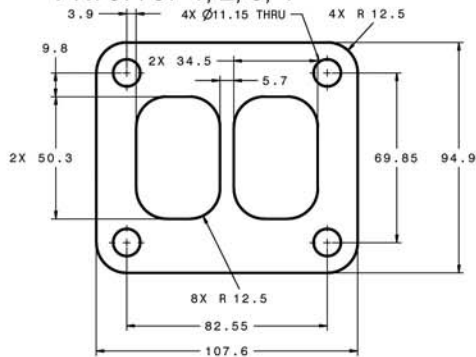


Oil Inlet

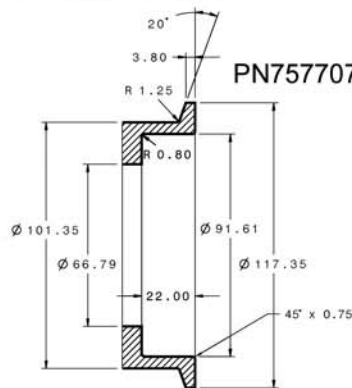


Turbine Inlet

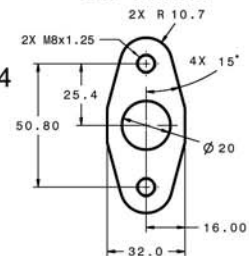
"T4 DIVIDED"
PN757707-1, 2, 3, 4



Turbine Outlet

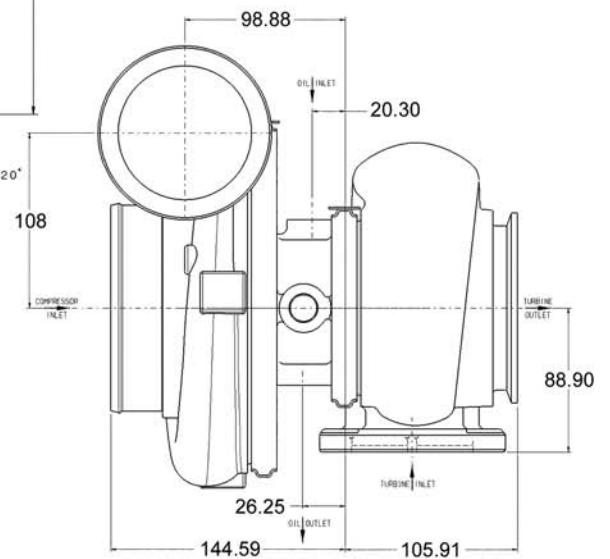
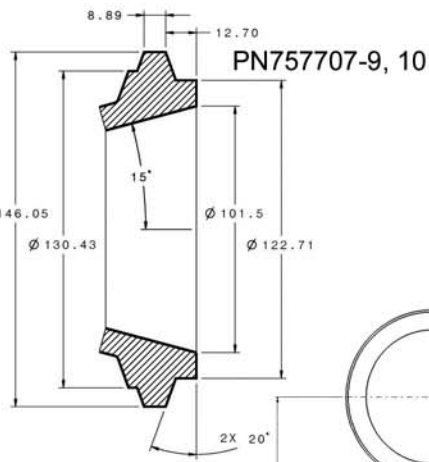
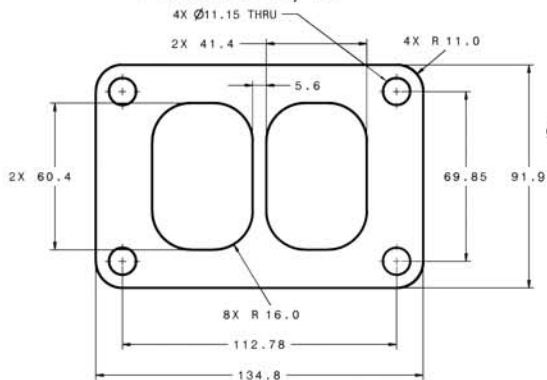


Oil Outlet



"LARGE FRAME DIESEL DIVIDED"

PN757707-9, 10



All Measurements in MM