

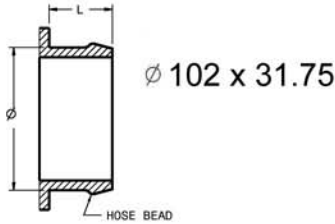
Garrett® GTX3071R

by Honeywell

803712-1

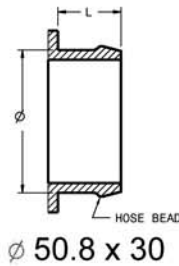
Compressor Inlet

HOSE CONNECTIONS
TABULATED AS (Ø x L)

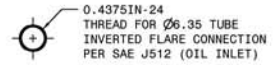


Compressor Outlet

HOSE CONNECTIONS
TABULATED AS (Ø x L)

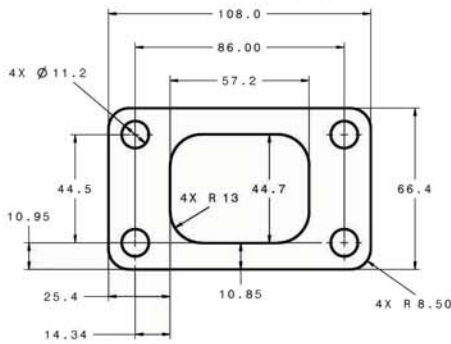


Oil Inlet



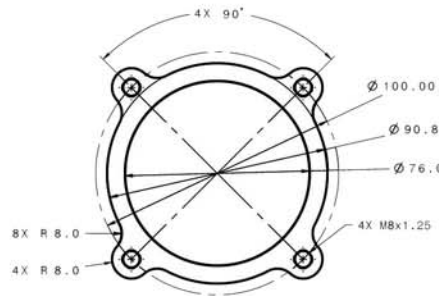
Turbine Inlet

"T3" PN74902-1, 2, 3, 7, 8, 9

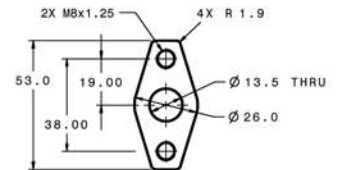


Turbine Outlet

"3-INCH 4 BOLT" PN740902-1, 2, 3



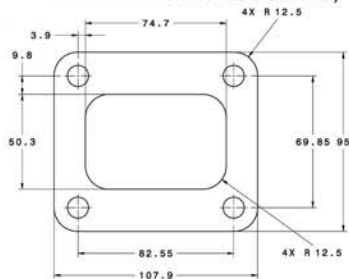
Oil Outlet



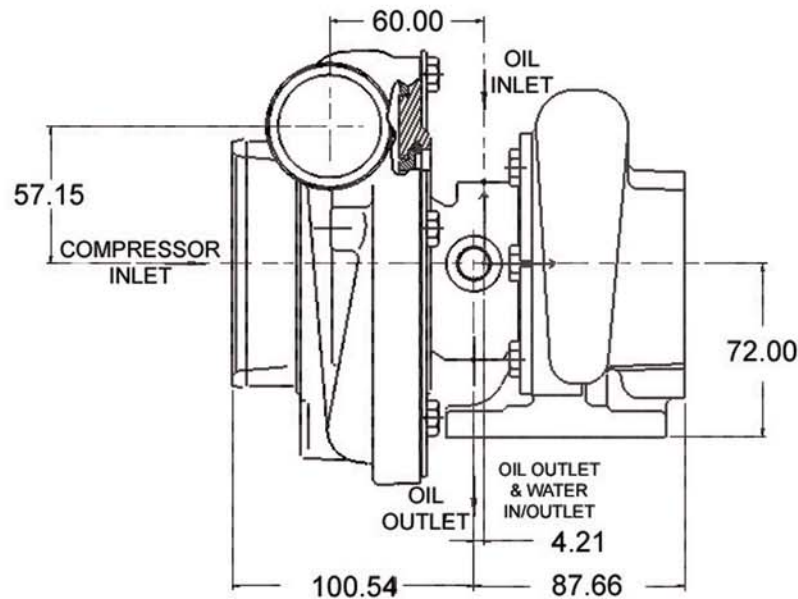
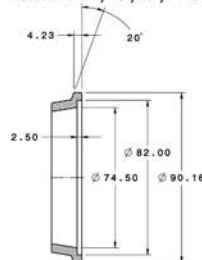
Water

M14 x 1.50

"T4 UNDIVIDED" PN740902-13, 14, 15



PN740902-7, 8, 9, 13, 14, 15



All Measurements in MM

TurboByGarrett.com