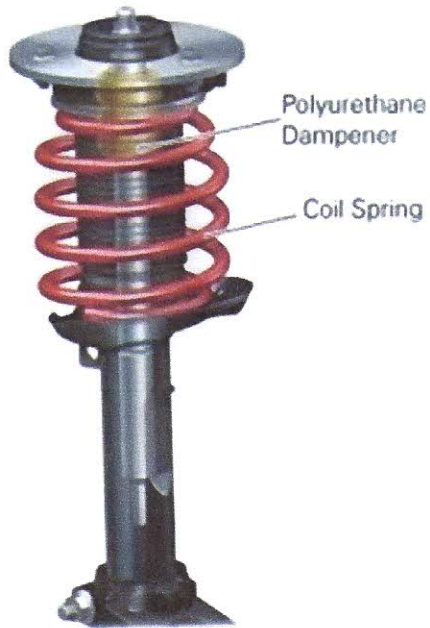
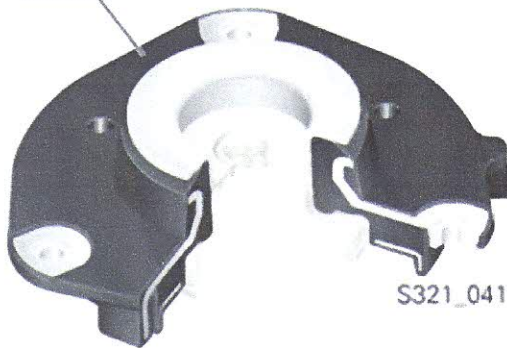


Front Axle



S321_039

Upper Strut Mount



Suspension Strut

The suspension strut consists of a coil spring and a polyurethane dampener. The high tensile steel coil spring is bent inward at both ends. The polyurethane dampener progressively dampens suspension travel.

Upper Strut Mount

The upper strut mount is a bonded rubber bushing that separates the spring and shock absorber from the body. This dampening force is then absorbed by the vehicle chassis. This design eliminates pretension in the dampener mount, resulting in a smoother ride with less road noise.

The mount provides soft dampening in the direction of suspension travel and a more rigid dampening of lateral forces.