

Garrett®

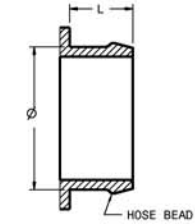
by Honeywell

GT4202R

774595-5, 774595-6, 774595-7, 774595-8

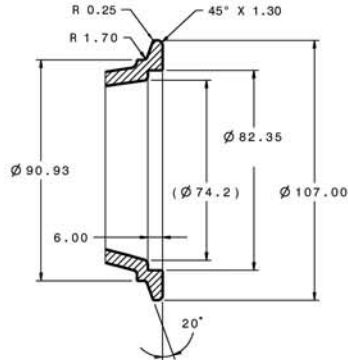
Compressor Inlet

HOSE CONNECTIONS
TABULATED AS (ϕ x L)

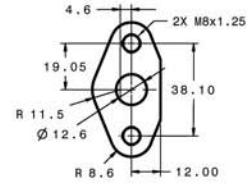


ϕ 127 x 32

Compressor Outlet



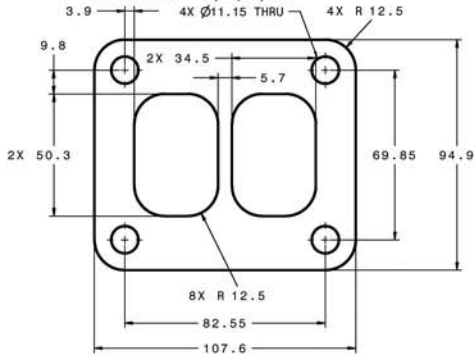
Oil Inlet



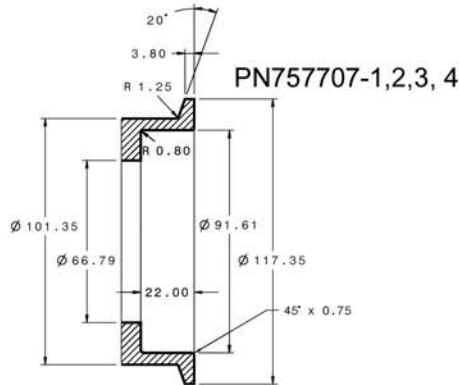
Turbine Inlet

"T4 DIVIDED"

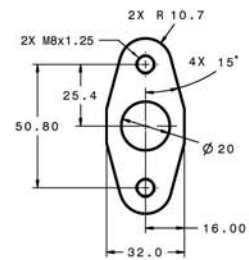
PN757707-1,2,3, 4



Turbine Outlet

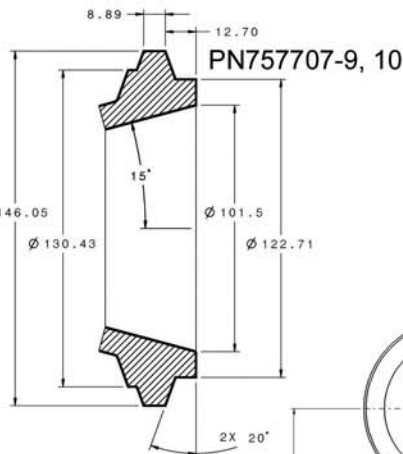
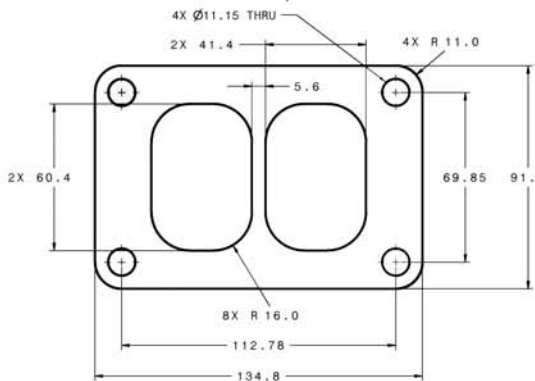


Oil Outlet



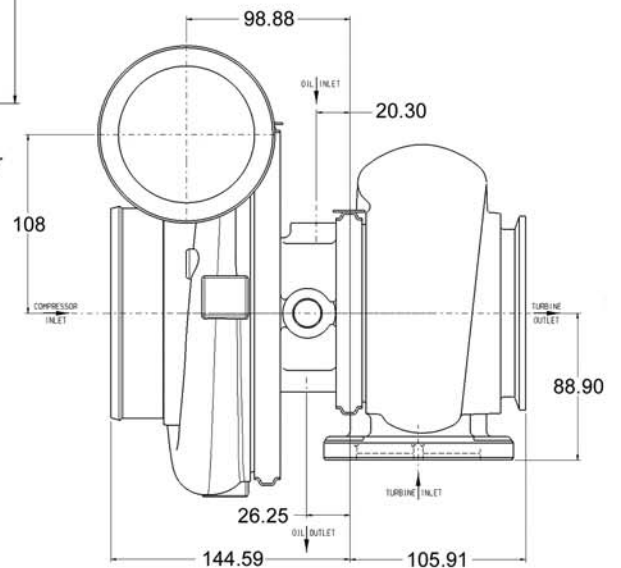
"LARGE FRAME DIESEL DIVIDED"

PN757707-9, 10



Water

M18 x 1.50



All Measurements in MM